



SUITCASE®

Singlefold Graphite Fiber Ramp Technical Specifications

Material

Panel	: Glass-reinforced graphite fiber
Joint	: Nylon
Handle	: Nylon
Corner protector	: Rubber
Walk surface	: Rubber tip paint
Paint	: Urethane

Color

Walk surface	: Grey
Center line	: Blue
Side portion	: Yellow
Rear	: Grey
Hook/loop tape	: Yellow

Durability

Rated load	: 660 lbs
------------	-----------

Accessory

Bag for 29" ramp	: Model No. SUITCASE SFGFCB
------------------	-----------------------------

Warranty

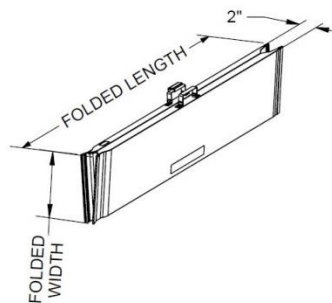
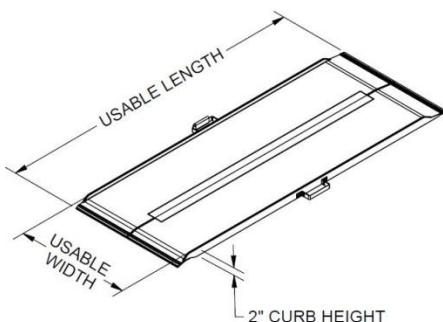
Term	: Lifetime Limited
------	--------------------

Marking

Product is manufactured in compliance with the Council Directive 93/42/EEC of June 14th 1993, including amendments, as medical device class 1.

Important!

- Weights and dimensions are approximate and subject to change.
- Refer to instruction manual for complete information on rated load and proper usage.
- **NEVER EXCEED RATED LOAD.**



Graphite Fiber Ramp 29"

Model No.	: SUITCASE SFGF29
Length	: 29"
Width, inner	: 29"
Width, outer	: 29"
Width, folded	: 14.375"
Thickness (folded)	: 1.50"
Weight	: 7.716 lbs.

Graphite Fiber Ramp 35"

Model No.	: SUITCASE SFGF35
Length	: 34.75"
Width, inner	: 31"
Width, outer	: 31"
Width, folded	: 15.5"
Thickness (folded)	: 1.5"
Weight	: 8.815 lbs.

Graphite Fiber Ramp 51"

Model No.	: SUITCASE SFGF51
Length	: 50.5"
Width, inner	: 30"
Width, outer	: 31"
Width, folded	: 15.5"
Thickness (folded)	: 4.25"
Weight	: 13.227 lbs.

Graphite Fiber Ramp 67"

Model No.	: SUITCASE SFGF67
Length	: 66.25"
Width, inner	: 30"
Width, outer	: 31"
Width, folded	: 15.5"
Thickness (folded)	: 4.25"
Weight	: 16.534 lbs.

Graphite Fiber Ramp 82"

Model No.	: SUITCASE SFGF82
Length	: 81.75"
Width, inner	: 30"
Width, outer	: 31"
Width, folded	: 15.5"
Thickness (folded)	: 4.25"
Weight	: 20.943 lbs.