

PUPPY TREADS™

Installation Instructions

instrucciones en español visita PeopleTreads.com



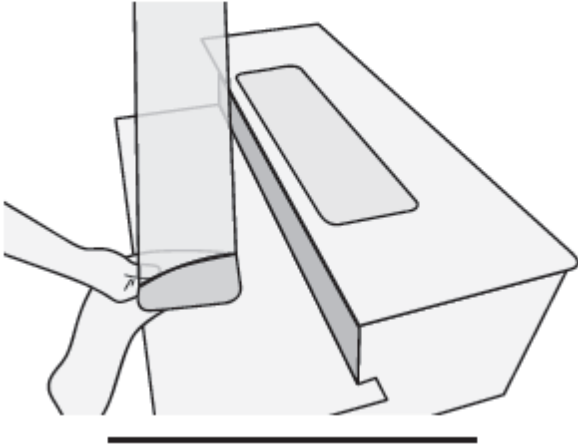
Step 1

Clean application site thoroughly before starting. Leave time to dry.

- Do not install if temperature is below 50°F
- Only apply to smooth flat surfaces
- Do not apply over grout
- Can be cut to size

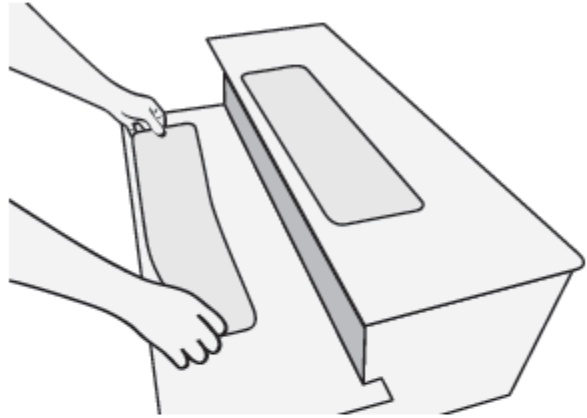
Step 2

Peel off protective release paper.

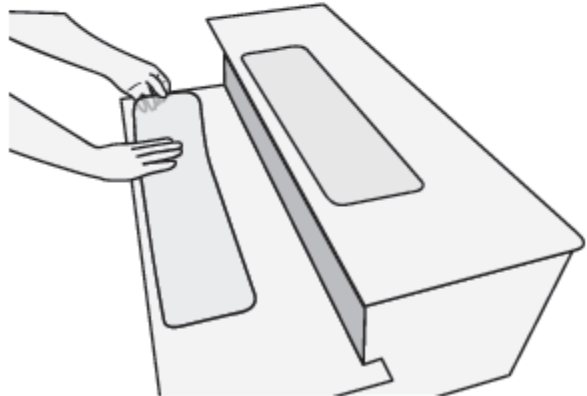


Step 3

Place one corner where you would like the tread to start and smooth down the line as you install the tread.



Make sure to push out any bubbles from under the tread.



For best results.

Use a rolling pin or wallpaper roller. Start from one corner and push out air bubbles or creases as you lay the tread down. Smooth the edges and ensure a tight seal.

